

USER MANUAL



Thank you for choosing Better Bathrooms.
Please read this manual before installing your product
and keep for future reference.

better 
bathrooms

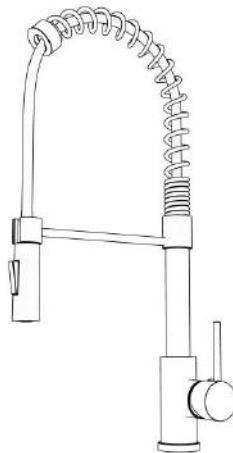
Product name: Malvern Single Lever Pull Out Dual Spray Tap

Product code/s :

MALSLCHPO -Malvern Single Lever Pull Out Dual Spray Tap - Chrome

MALSLMBPO -Malvern Single Lever Pull Out Dual Spray Tap - Matt Black

MALSLBBPO- Malvern Single Lever Pull Out Dual Spray Tap - Brushed Brass



- **Multi or Single-person assembly**
- **Tools required**
- **We always recommend using professional tradespeople to install your product**

V1_23.07.2024

Congratulations on your purchase

And welcome to our growing gang of savvy shoppers

We're on a mission to bring you extraordinary bathroom products, for less. From modern to traditional style ceramics, plus the gorgeous fixtures, fittings and furniture to match. So, you can fall in love with your space every single day.

As one of the UK's largest independent bathroom stores, we've received countless awards; including the National Business Awards UK, the Digital Entrepreneur Awards and being placed on The Sunday Times Fast Track 100.

We hope your new product goes above and beyond your expectations. However, should any problems occur, please:

- log in to your account and contact our customer services team via your self-serve portal – betterbathrooms.com/CustomerAccount/Login
- contact us via betterbathrooms.com/content/contact-us

Important information

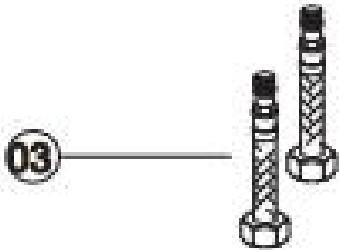
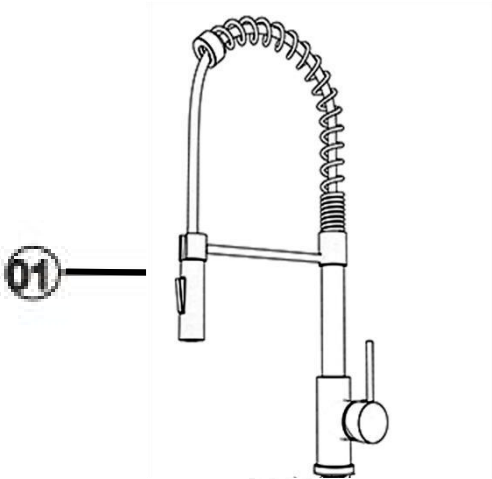
- Please read these instructions thoroughly and retain for future reference
- Pressures should meet minimum stated on the website
- Pressures must be balanced for optimum performance
- Always check for pipes and cables before drilling

Contents

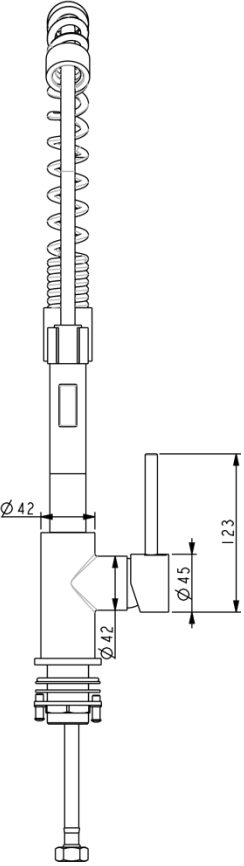
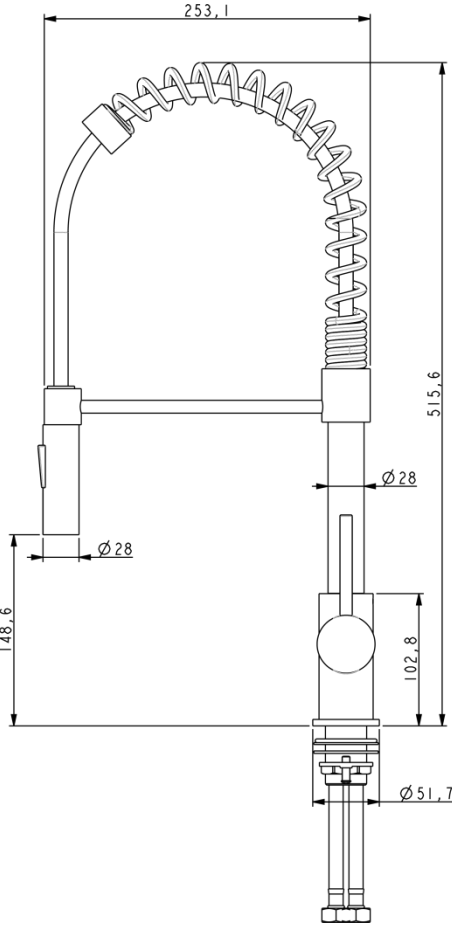
01- Faucet body

02- Fixing parts

03- Flexible hoses



Parts / Diagrams

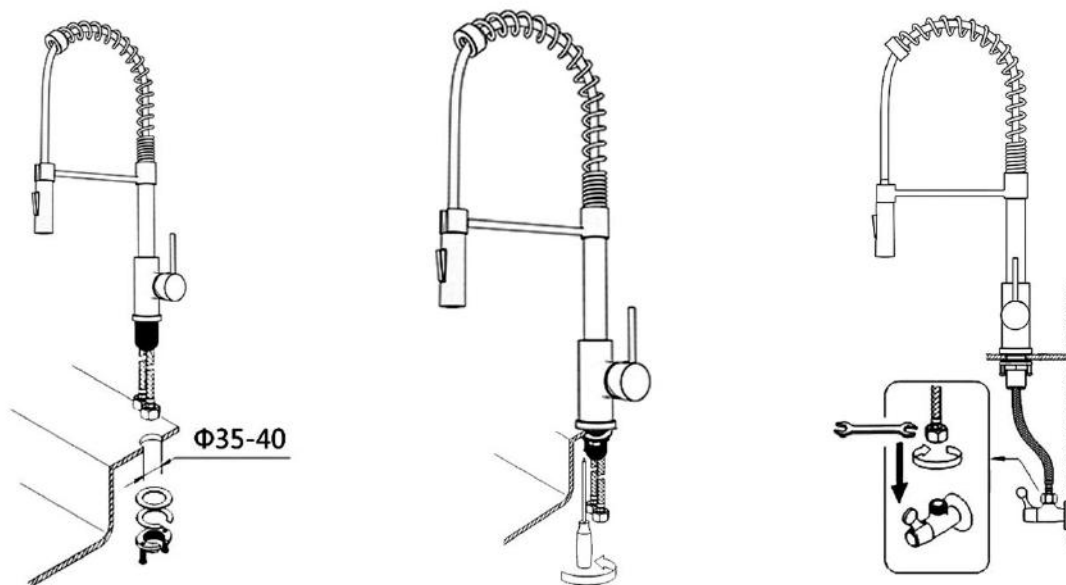


Tools required

Installation requires a screwdriver, an adjustable wrench and adjustable pliers



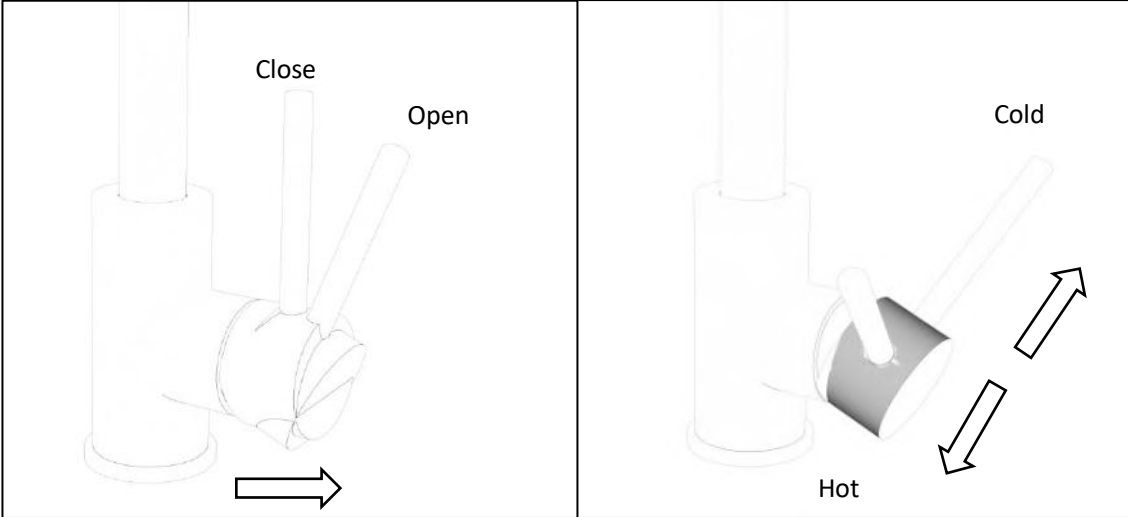
Installation



1. Identify all components are present prior to starting installation .
2. Flush water through the mains water feed to ensure they are clear of debris and isolate the water feed.
3. Put the faucet into the hole. Install the flexible hoses to the mixer body through the sleeve.
4. Tighten the fixing parts to the bottom of the body with a screwdriver.
5. Attach the two flexible hoses to the water supply (Red strip hose connect with hot water supply on left, Blue strip hose connect with cold water supply on right).

Note: The stop valve shown in the diagram above is not included.

Operation



Troubleshooting

Kitchen tap dripping for short period after closure :

This is normal as the spout is emptying .

Kitchen tap dripping continually : Turn off the water supply, remove the cartridge and clean and check internal seat for debris

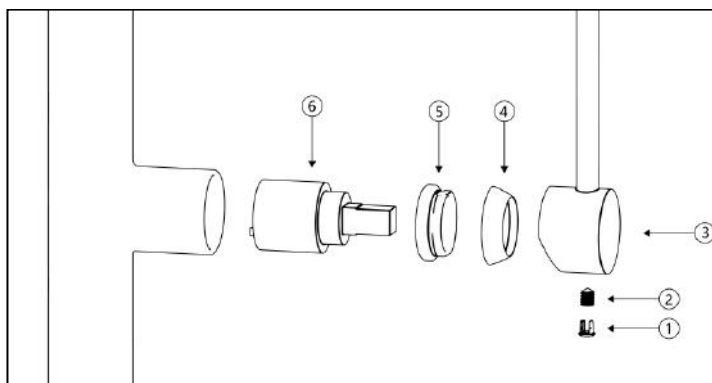
No water coming through : Check pipes and inside of mixer for blockages

Water not mixing: Pressures should be balanced or the higher pressure will restrict the lower

Cartridge become stiff : remove cartridge and clean out debris

Maintenance

Turn off water supply before removing cartridge



1. Take out the handle cap (1) and use the allen key to screw out the grub screw (2) .
2. Remove the handle (3) and screw out the dome (4).
3. Loosen the locking nut (5) by the wrench and take out the cartridge (6) .
4. Clean the cartridge and reinstall the cartridge in reverse steps (6) .

Cleaning

Clean the product surface with a soft cloth and a mild detergent or citric acid solution. The use of any rough materials, as well as corrosive or abrasive cleaning agents, is not recommended as they may cause damage to the coating.

For more information

- visit betterbathrooms.com
- email customerservices@buyitdirect.co.uk
- call 0330 390 3062
- write to Trident Business Park, Neptune Way, Huddersfield, HD2 1UA

better 
bathrooms

Part of the BuyItDirect Group